

**ShowerSelect**  
**Thermostat for concealed installation for 2 functions**  
 Surfaces: **Chrome** Article Number: **15763000**



### Description

**product features**

- 2 functions
- simultaneous use of several outlets
- Select push-button on/off control for 2 outlets
- flow rate upper outlet: 25 l/min
- flow rate lower outlet: 23 l/min
- thermostat cartridge, Start/stop valve to operate the functions
- safety lock at 40° C
- temperature limitation adjustable
- connection type: basic set
- min. operating pressure: 1 bar
- max. operating pressure: 10 bar
- Thermostat is delivered with buttons hand shower and Rain large

### Technology



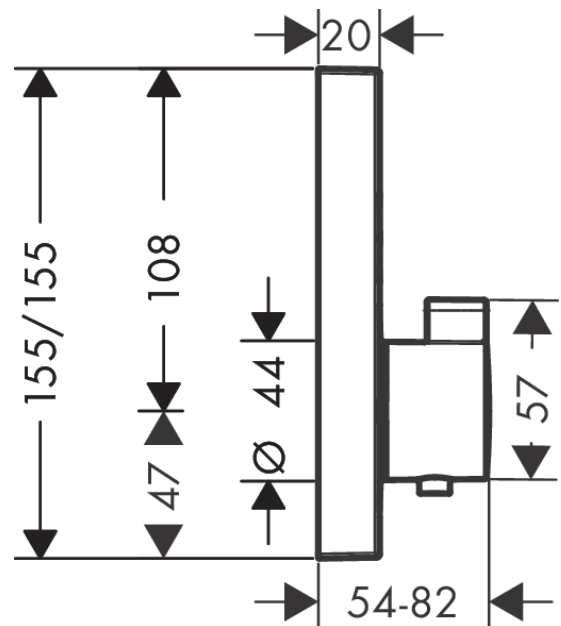
### Design awards



### Product image



### Scale drawing



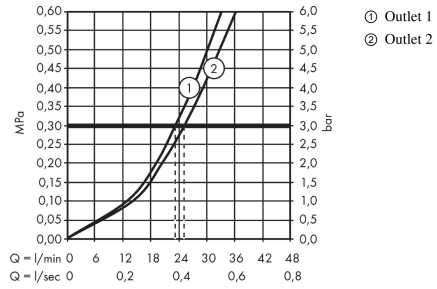
**ShowerSelect**

**Thermostat for concealed installation for 2 functions**

Surfaces: **Chrome** Article Number: **15763000**



**Flowchart**

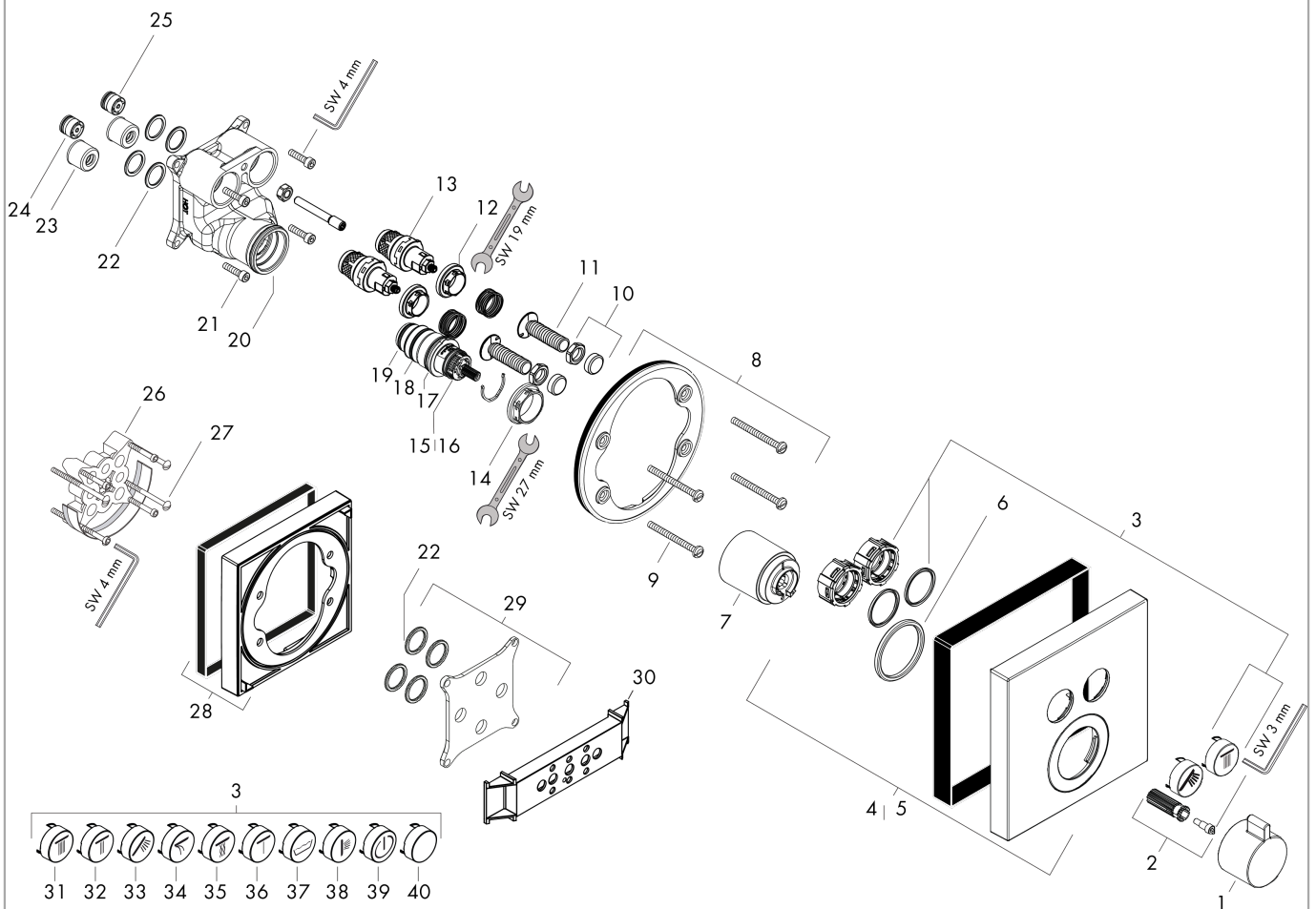


**ShowerSelect**  
**Thermostat for concealed installation for 2 functions**  
 Surfaces: **Chrome** Article Number: **15763000**



**Exploded Drawing**

Year of production: >02/18



**ShowerSelect**  
**Thermostat for concealed installation for 2 functions**  
 Surfaces: **Chrome** Article Number: **15763000**



## Spare part list

Year of production: >02/18

| Pos. | Description                                       | Article Number | Price | PU |
|------|---------------------------------------------------|----------------|-------|----|
| 1    | handle for thermostat                             | 92215000       | -     | 1  |
| 2    | handle fixing set                                 | 95843000       | -     | 1  |
| 3    | set of symbols                                    | 92218000       | -     | 1  |
| 4    | escutcheon 155 / 155 mm                           | 92217000       | -     | 1  |
| 5    | escutcheon for exchanged connections              | 92393000       | -     | 1  |
| 6    | O-ring 44x4                                       | 98471000       | -     | 1  |
| 7    | sleeve                                            | 92216000       | -     | 1  |
| 8    | holder for escutcheon                             | 98793000       | -     | 1  |
| 9    | set of fixing screws                              | 96454000       | -     | 1  |
| 10   | nut and flange                                    | 92696000       | -     | 1  |
| 11   | Select-adapter                                    | 92219000       | -     | 1  |
| 12   | nut                                               | 98368000       | -     | 1  |
| 13   | shut off unit                                     | 95758000       | -     | 1  |
| 14   | nut                                               | 98913000       | -     | 1  |
| 15   | thermostat cartridge                              | 98282000       | -     | 1  |
| 16   | cartridge for exchanged connections               | 92373000       | -     | 1  |
| 17   | O-ring 25x2,5                                     | 92146000       | -     | 1  |
| 18   | O-ring 25x1,5                                     | 98146000       | -     | 1  |
| 19   | O-ring 20x1,5                                     | 98197000       | -     | 1  |
| 20   | O-ring 36x2                                       | 98156000       | -     | 1  |
| 21   | set of screws                                     | 96525000       | -     | 1  |
| 22   | O-ring 16x2                                       | 98133000       | -     | 1  |
| 23   | noise reduction                                   | 94073000       | -     | 1  |
| 24   | non return valve (pressure-resistant up to 2 MPa) | 92594000       | -     | 1  |
| 25   | non return valve                                  | 97980000       | -     | 1  |
| 26   | extension 25 mm                                   | 13595000       | -     | 1  |
| 27   | set of fixing screws                              | 97747000       | -     | 1  |
| 28   | extension 22 mm                                   | 13593000       | -     | 1  |
| 29   | compensation set 1°                               | 95521000       | -     | 1  |
| 30   | fit-up aid                                        | 92540000       | -     | 1  |
| 31   | symbol head shower Rain large                     | 93571880       | -     | 1  |
| 32   | symbol head shower Rain small                     | 93572880       | -     | 1  |
| 33   | symbol handshower                                 | 93573880       | -     | 1  |
| 34   | symbol Flood jet                                  | 93574880       | -     | 1  |
| 35   | symbol Whirl                                      | 93575880       | -     | 1  |
| 36   | symbol Mono                                       | 93576880       | -     | 1  |
| 37   | symbol tub                                        | 93577880       | -     | 1  |
| 38   | symbol body shower                                | 93578880       | -     | 1  |
| 39   | symbol ON/OFF                                     | 93579880       | -     | 1  |
| 40   | pushbutton                                        | 93955880       | -     | 1  |
| a    | concealed item                                    | 01800180       | -     | 1  |

**ShowerSelect**  
**Thermostat for concealed installation for 2 functions**  
 Surfaces: **Chrome** Article Number: **15763000**



**Spare part list**

Year of production: >02/18

| <b>Pos.</b> | <b>Description</b>                | <b>Article Number</b> | <b>Price</b> | <b>PU</b> |
|-------------|-----------------------------------|-----------------------|--------------|-----------|
| b           | adapter for exchanged connections | 93181000              | -            | 1         |
| c           | shut off unit (special)           | 92361000              | -            | 1         |
| d           | brake disc                        | 92498000              | -            | 1         |
| e           | Grease                            | 90920000              | -            | 1         |
| f           | shut off unit                     | 92692000              | -            | 1         |