

## Logis

**Single lever basin mixer for concealed installation wall-mounted with spout 19.5 cm**

Surfaces: **Chrome** Article Number: **71220000**



### Description

#### product features

- consists of: single lever basin mixer for concealed installation wall-mounted, waste set
- projection 195 mm
- normal spray
- flow rate at 3 bar: 5 l/min
- ceramic cartridge
- temperature limitation adjustable
- suitable for continuous flow water heaters
- non-closing waste set
- material waste set: metal
- connection type: basic set
- connection dimension: DN15
- handle can be positioned on the right or left, depends on the basic set installation

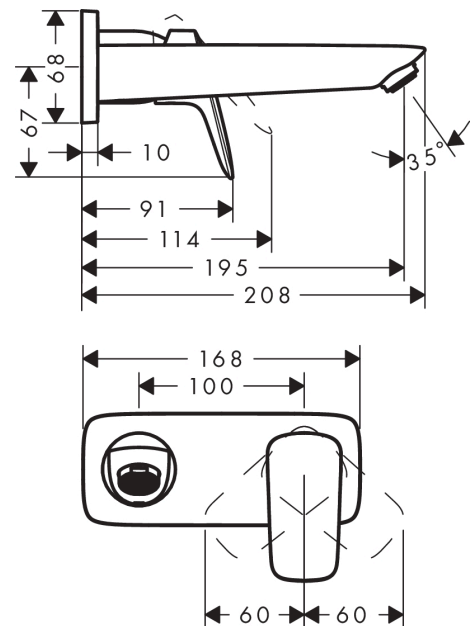
### Technology



### Product image



### Scale drawing



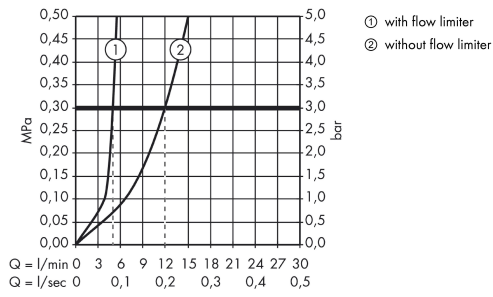
**Logis**

**Single lever basin mixer for concealed installation wall-mounted with spout 19.5 cm**

Surfaces: **Chrome** Article Number: **71220000**



**Flowchart**



**Logis**

**Single lever basin mixer for concealed installation wall-mounted with spout 19.5 cm**

Surfaces: **Chrome** Article Number: **71220000**



**Installation examples**

