

Talis Select S

Basin mixer 80 with pop-up waste set

Surfaces: **Chrome** Article Number: **72040000**



Description

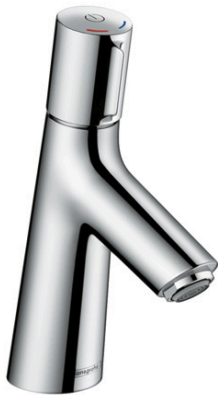
product features

- consists of: Basin mixer, waste set
- ComfortZone 80
- projection 97 mm
- normal spray
- flow rate at 3 bar: 5 l/min
- Select cartridge with temperature control
- temperature limitation adjustable
- suitable for continuous flow water heaters
- pop-up waste set G 1¼
- material waste set: metal
- connection type: G ¾ connections
- connection dimension: DN15

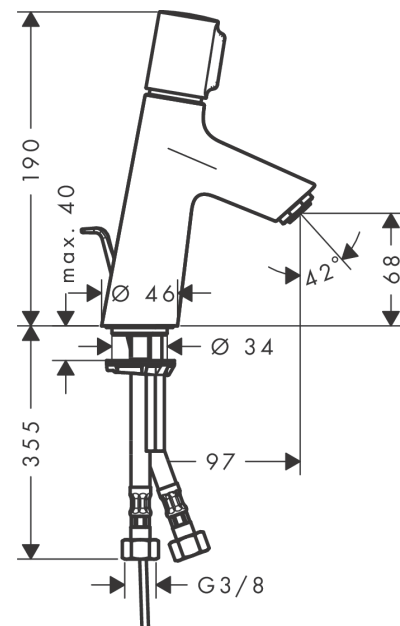
Technology



Product image



Scale drawing



Flowchart

