

**Talis E**  
**Single lever shower mixer for exposed installation**  
 Surfaces: **Matt Black** Article Number: **71760670**

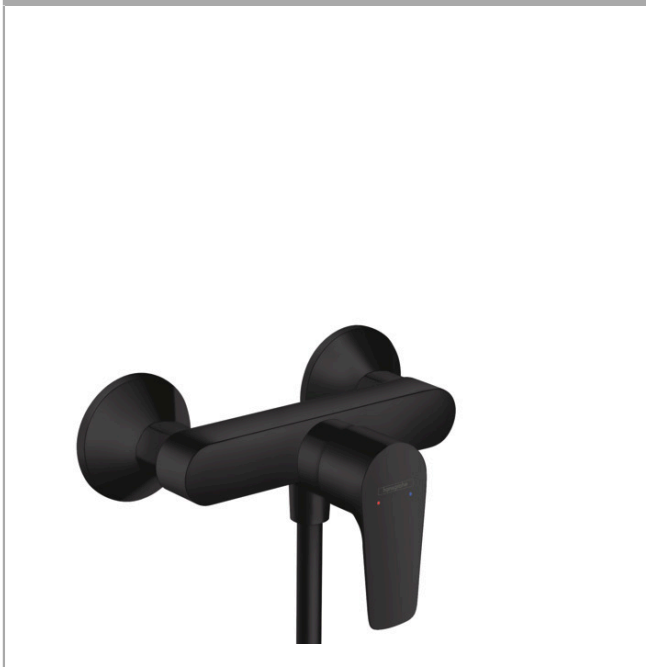


### Description

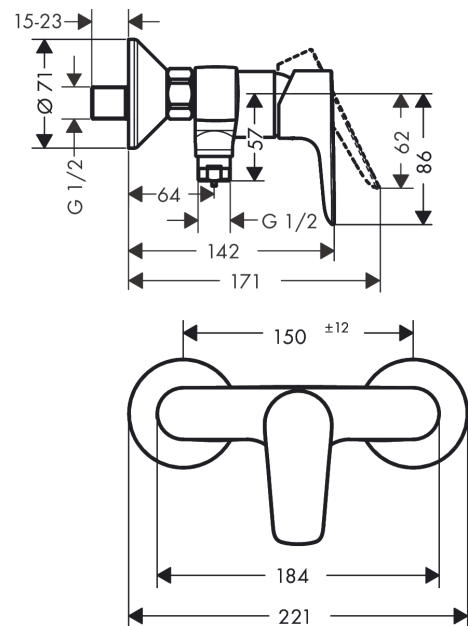
#### product features

- connection type: s-shaped connections
- centre distance: 150 ± 12 mm
- flow rate of hand shower at 3 bar: 17 l/min
- ceramic cartridge
- temperature limitation adjustable
- non-return valve
- with silencer
- hose connection DN15
- connection dimension: DN15

### Product image



### Scale drawing



### Flowchart

