

Talis E

3-hole basin mixer with pop-up waste set

Surfaces: **Polished Gold Optic** Article Number: **71733990**



Description

product features

- consists of: 3-hole basin mixer, waste set
- ComfortZone 150
- projection 112 mm
- flow rate at 3 bar: 5 l/min
- ceramic valves hot/ cold 90°
- suitable for continuous flow water heaters
- pop-up waste set G 1¼
- material waste set: metal
- connection type: G ¾ connections
- connection dimension: DN15

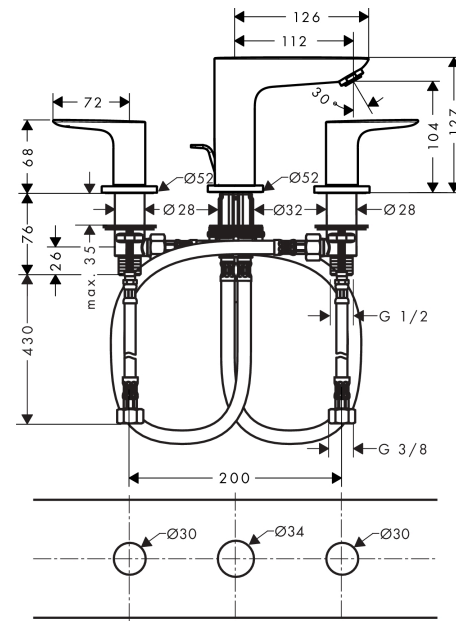
Technology



Product image



Scale drawing



Flowchart

