

**PuraVida**  
**Single lever basin mixer 200 with push-open waste set**  
 Surfaces: **Chrome** Article Number: **15081000**



### Description

#### product features

- consists of: single lever basin mixer, waste set
- ComfortZone 200
- projection 132 mm
- laminar spray
- swiveling spray former
- flow rate at 3 bar: 5 l/min
- joystick ceramic cartridge
- suitable for continuous flow water heaters
- push-open waste set G 1¼
- material waste set: metal
- connection type: G ¾ connections
- connection dimension: DN15

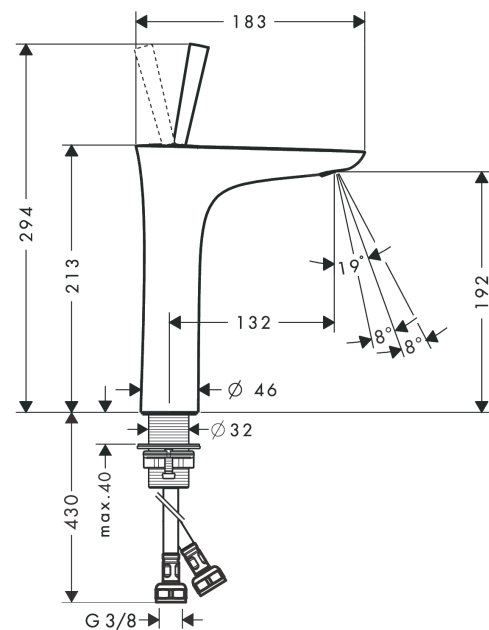
### Technology



### Product image



### Scale drawing



### Flowchart

