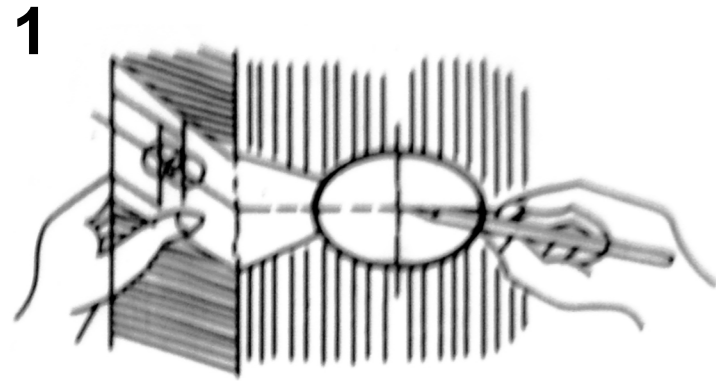
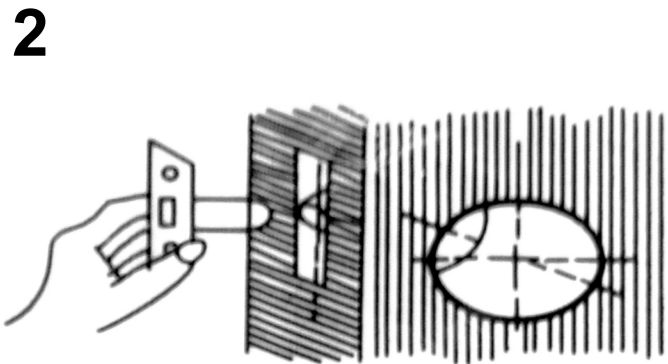


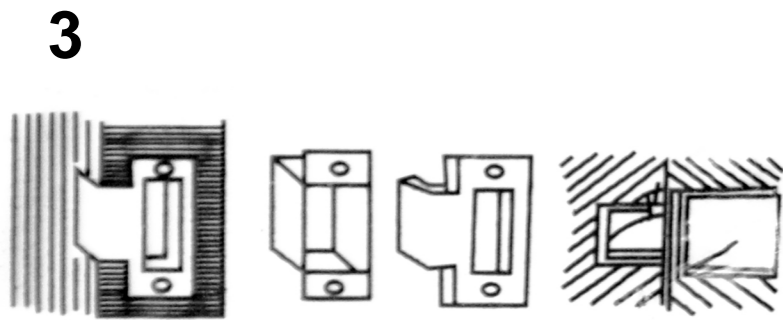
DIRECTIONS TO INSTALL THE CYLINDRICAL LOCK



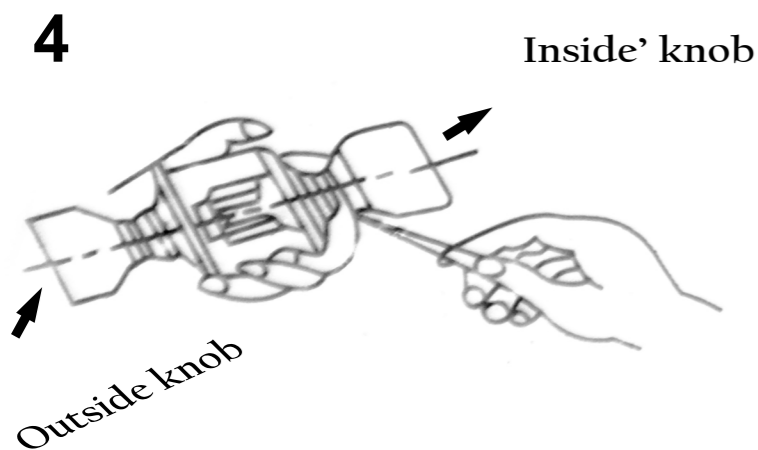
1 Mark the center for the installing the lock and latch as the illustration supplied.



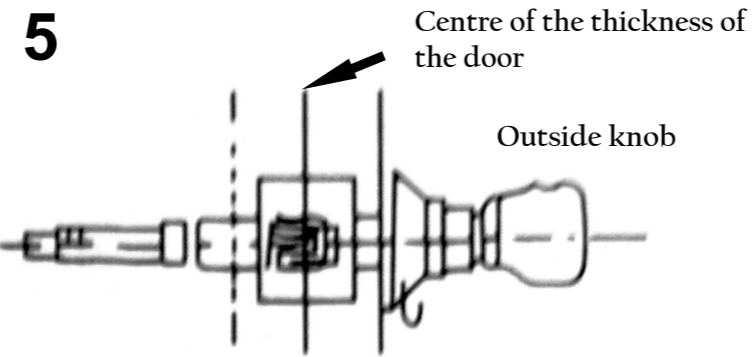
2 With the determined points as centres, draw two circles (53mm and 22mm on the door edge respectively) with the paper marker. Bore the 53mm hole and 22mm hole cur from the edge of the door 2 small pieces of wood to the fit in the latch plate so that the plate can be installed into the door edge and take backset into it.



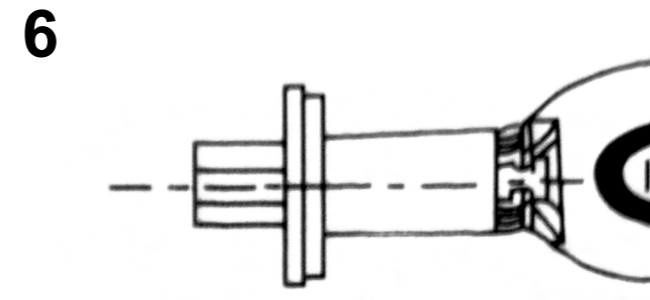
3 When the strike plate is installed be sure it is set in same level as the backset so that the latch bolt should fit into the strike case and then the small bolt will drop automatically to prevent the latch bolt come back, as the security function.



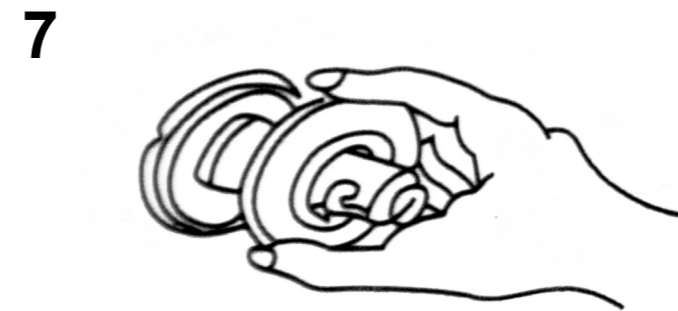
4 To pull out the inside knob use tip of the pin supplied to press down the spring piece installed inside the small groove hole. The hole is located on the neck of the inside knob.



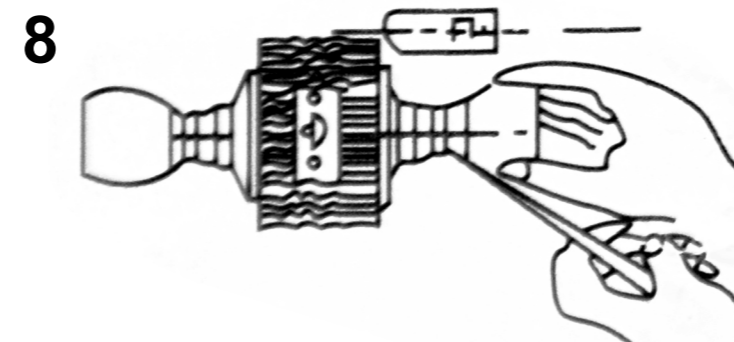
5 Adjust the lock to be fixed into the centre of the thickness of the door by turning the outside knob round washer.



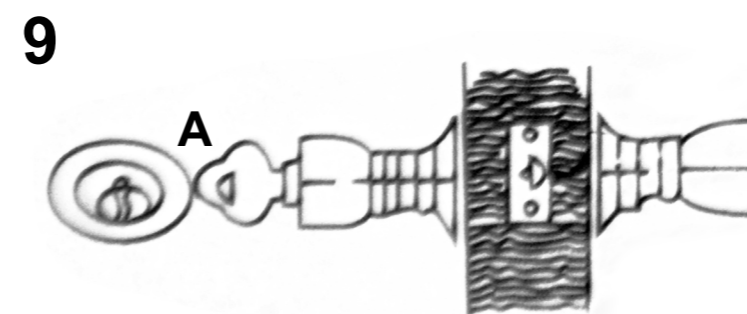
6 Backset unit must be in placed before installing lock. Be sure lock hosing engages with latch prongs and the retractor install into latch bar.



7 Detach the inner piece of the found cover of the inside knob fasten into the lock by screws put on the round cover.



8 Attach the inside knob into the tube-shaped spindle of the lock. Use the tip of the pin to press down the spring piece on the spindle and push the inside knob in until the knob and the spindle are bolted together.



9 In the order to make sure the installation of the lock is right, is open the lock smoothly either with the key our outside knob.