

Croma

Showerpipe 220 1jet with thermostat

Surfaces: **Chrome** Article Number: **27185000**



Description

product features

- consists of: overhead shower, hand shower, shower thermostat, shower hose, hand shower holder, shower bar
- overhead shower Croma 220
- shower head size: 220 mm
- spray type: RainAir
- ball-joint: overhead shower angle adjustable
- height-adjustable hand shower holder
- shower bar diameter: 22 mm
- rising pipe can be shortened in height
- shower arm length: 400 mm
- swivel shower arm
- maximum flow rate at 3 bar: 15 l/min
- operating pressure: min. 0.12 MPa/max. 1.0 MPa
- thermostat Ecostat Comfort
- safety lock at 40° C
- adjustable hot water limitation
- outlets controlled via turning handle
- will not run two outlets at same time
- installation type: exposed installation
- connection dimension DN15
- connection thread G 1/2
- centre distance 150 ± 12 mm

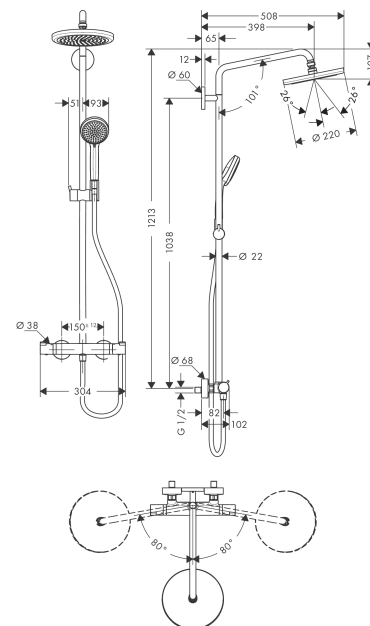
Technology



Product image



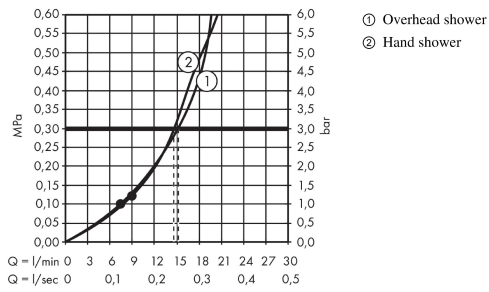
Scale drawing



Croma
Showerpipe 220 1jet with thermostat
 Surfaces: **Chrome** Article Number: **27185000**



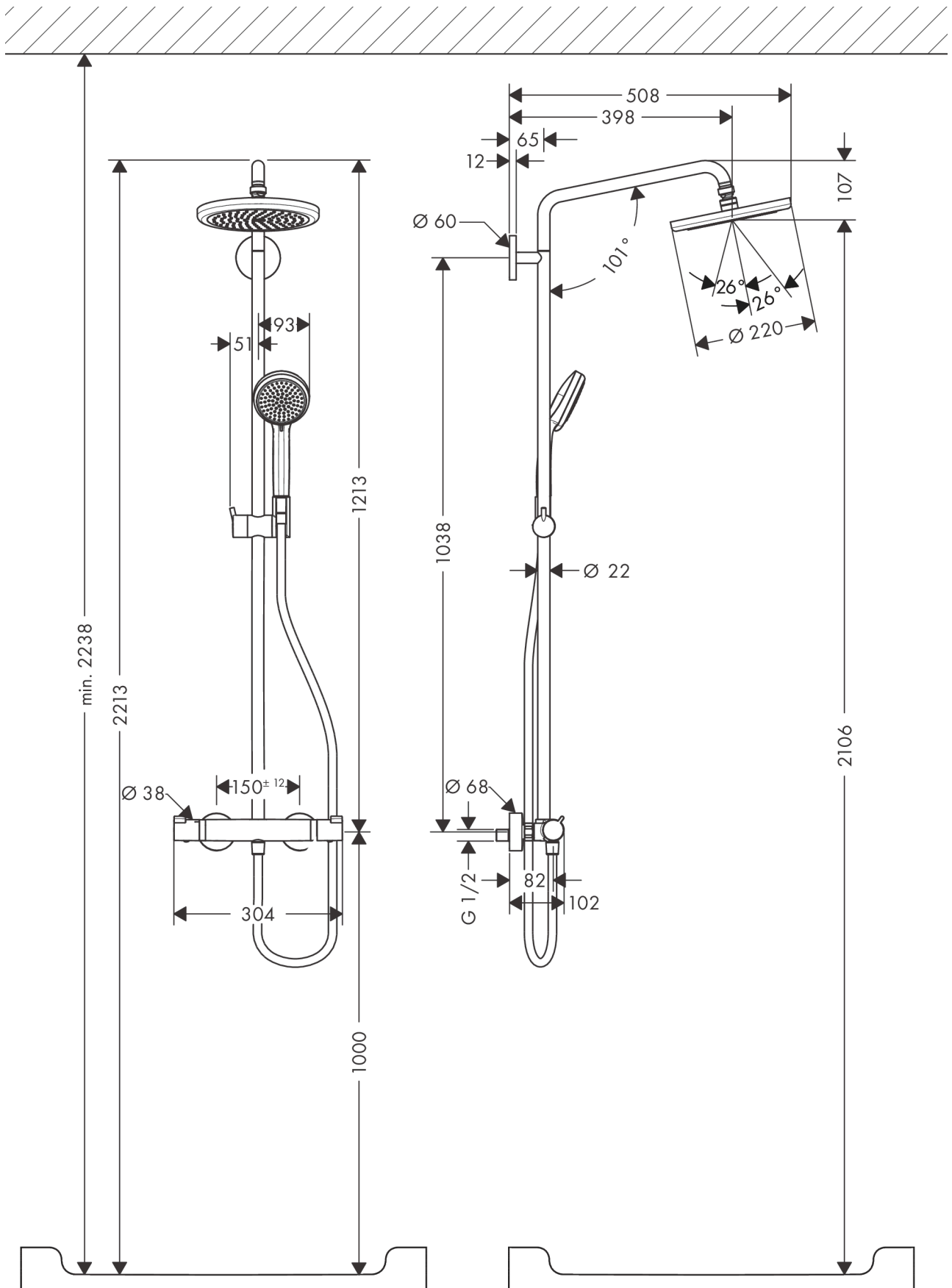
Flowchart



Croma
Showerpipe 220 1jet with thermostat
 Surfaces: **Chrome** Article Number: **27185000**



Installation examples

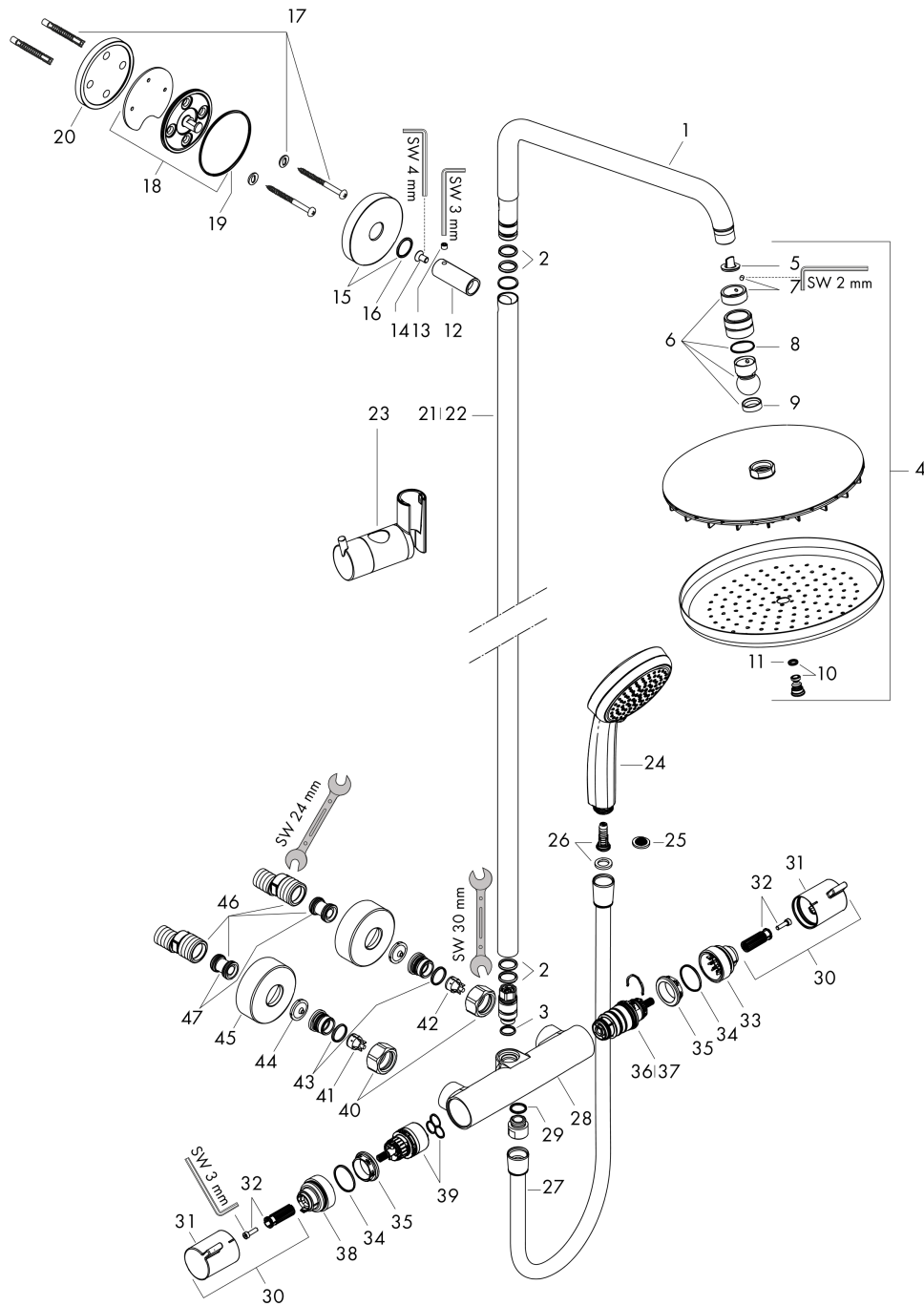


Croma
Showerpipe 220 1jet with thermostat
 Surfaces: **Chrome** Article Number: **27185000**



Exploded Drawing

Year of production: >08/19



Croma

Showerpipe 220 1jet with thermostat

Surfaces: **Chrome** Article Number: **27185000**



Spare part list

Year of production: >08/19

Pos.	Description	Article Number	Price	PU
1	shower arm	95985000	-	1
2	O-ring 15x2,5	98131000	-	1
3	O-ring 12x2,25	98382000	-	1
4	head shower	26464000	-	1
5	filter packing	96477000	-	1
6	ball joint	98941000	-	1
7	lock washer	98942000	-	1
8	lever collar	97536000	-	1
9	seal	97606000	-	1
10	air jet	95794000	-	1
11	O-ring 7x2	98419000	-	1
12	sleeve	92166000	-	1
13	hollow set screw M6x5	98447000	-	1
14	screw	92137000	-	1
15	escutcheon Ø 60 mm	95692000	-	1
16	O-ring 20x2	98165000	-	1
17	mounting set	96179000	-	1
18	wall flange	95688000	-	1
19	O-Ring 50x2	98187000	-	1
20	tile-matching-disk	95239000	-	1
21	pipe 1030 mm	95915000	-	1
22	pipe 1400 mm	95983000	-	1
23	support, assy	97651000	-	1
24	handshower	28535000	-	1
25	filter packing	94246000	-	1
26	filter insert	97708000	-	1
27	shower hose Isiflex'B 1,60 m	28276000	-	1
28	Thermostat	92147000	-	1
29	O-ring 14x2	98129000	-	1
30	handle	95836000	-	1
31	pushbutton	92848000	-	1
32	handle fixing set	95843000	-	1
33	safety set	95839000	-	1
34	O-ring 26x1,5	98390000	-	1
35	nut	98913000	-	1
36	thermostat cartridge	98282000	-	1
37	cartridge for exchanged connections	92373000	-	1
38	stop ring for flow control	95927000	-	1
39	shut off unit with selector	98283000	-	1
40	set of nuts	96157000	-	1
41	non return valve (pressure-resistant up to 2 MPa)	93136000	-	1

Croma
Showerpipe 220 1jet with thermostat
 Surfaces: **Chrome** Article Number: **27185000**



Spare part list

Year of production: >08/19

Pos.	Description	Article Number	Price	PU
42	non return valve	96737000	-	1
43	O-ring 17x1,5	98137000	-	1
44	filter packing	96922000	-	1
45	escutcheon Ø 68 mm	96467000	-	1
46	set of S-unions (±12 mm)	94140000	-	1
47	noise reduction	96429000	-	1