

## Croma Select E

### SemiPipe Multi with thermostat

Surfaces: **White/Chrome** Article Number: **27248400**



#### Description

##### product features

- consists of: hand shower, shower thermostat, shower hose, hand shower holder, shower bar
- spray type hand shower: Massage spray, IntenseRain, SoftRain
- wallbar could be also used as grab bar
- height-adjustable hand shower holder
- wall bar: 1,000 mm
- shower bar diameter: 25 mm
- maximum flow rate at 3 bar: 16 l/min
- operating pressure: min. 1 bar/max. 10 bar
- thermostat Ecostat Comfort
- safety lock at 40° C
- adjustable hot water limitation
- outlets controlled via turning handle
- installation type: exposed installation
- connection dimension DN15
- connection thread G ½
- centre distance 150 ± 12 mm
- TÜV certified

#### Technology



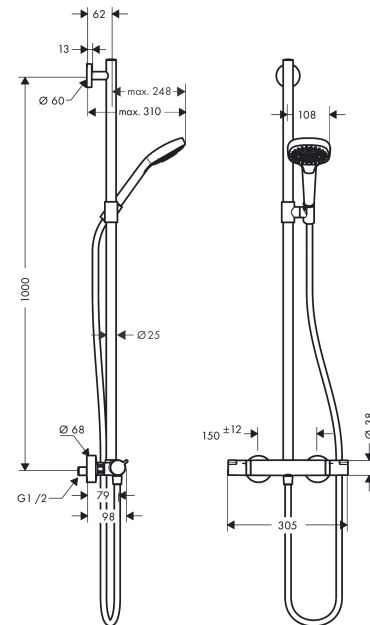
#### Certificates



#### Product image



#### Scale drawing



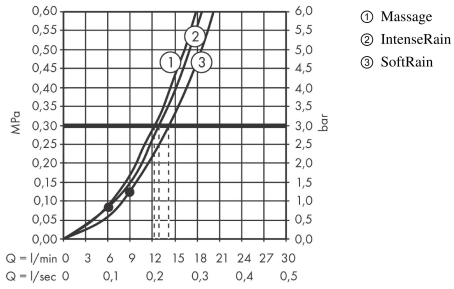
**Croma Select E**

**SemiPipe Multi with thermostat**

Surfaces: **White/Chrome** Article Number: **27248400**



**Flowchart**

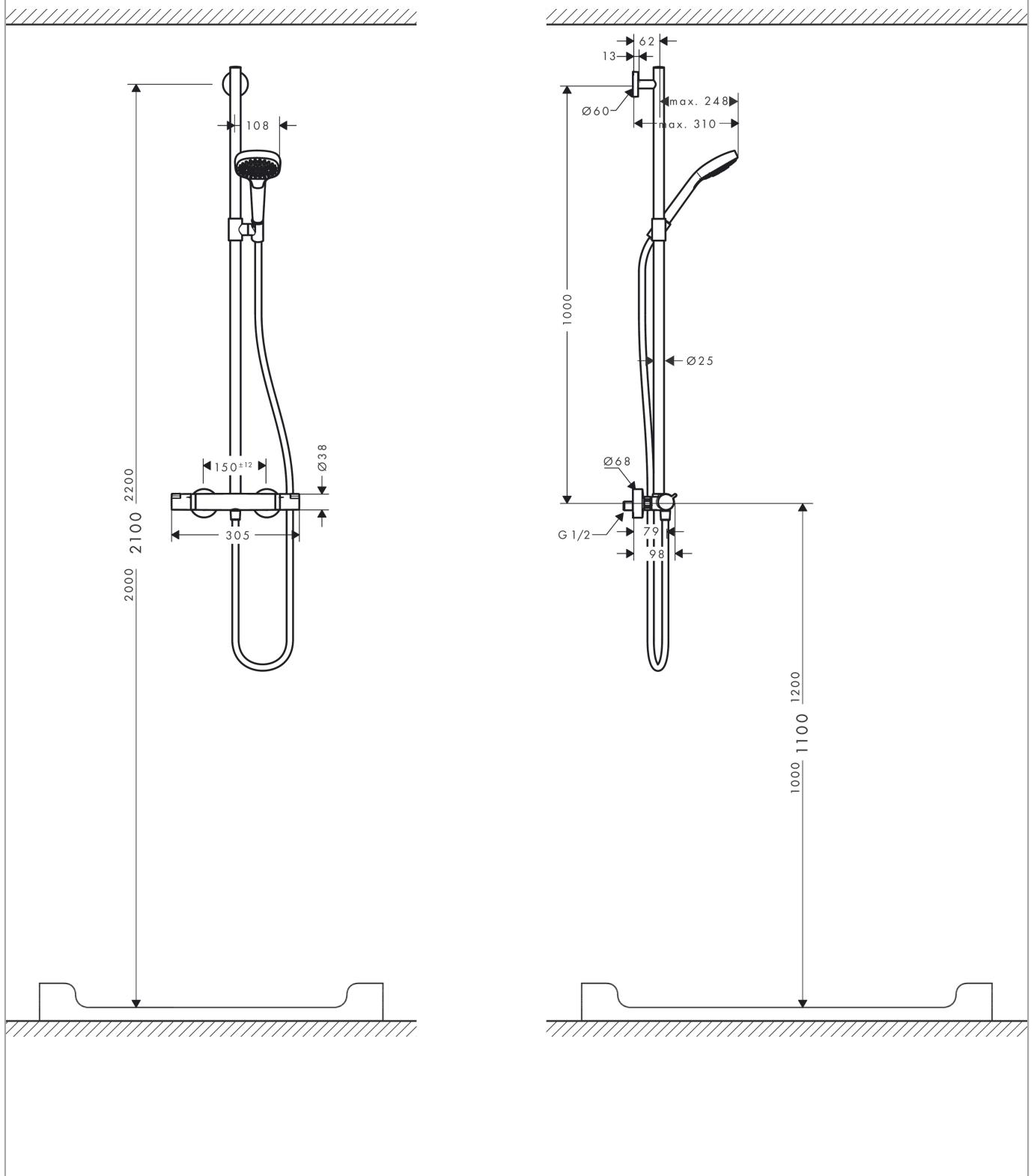


The consumption was measured in combination with the appropriate fittings (thermostat/mixer/in-wall valve) to reflect actual application in practice.

**Croma Select E**  
**SemiPipe Multi with thermostat**  
 Surfaces: **White/Chrome** Article Number: **27248400**



Installation examples

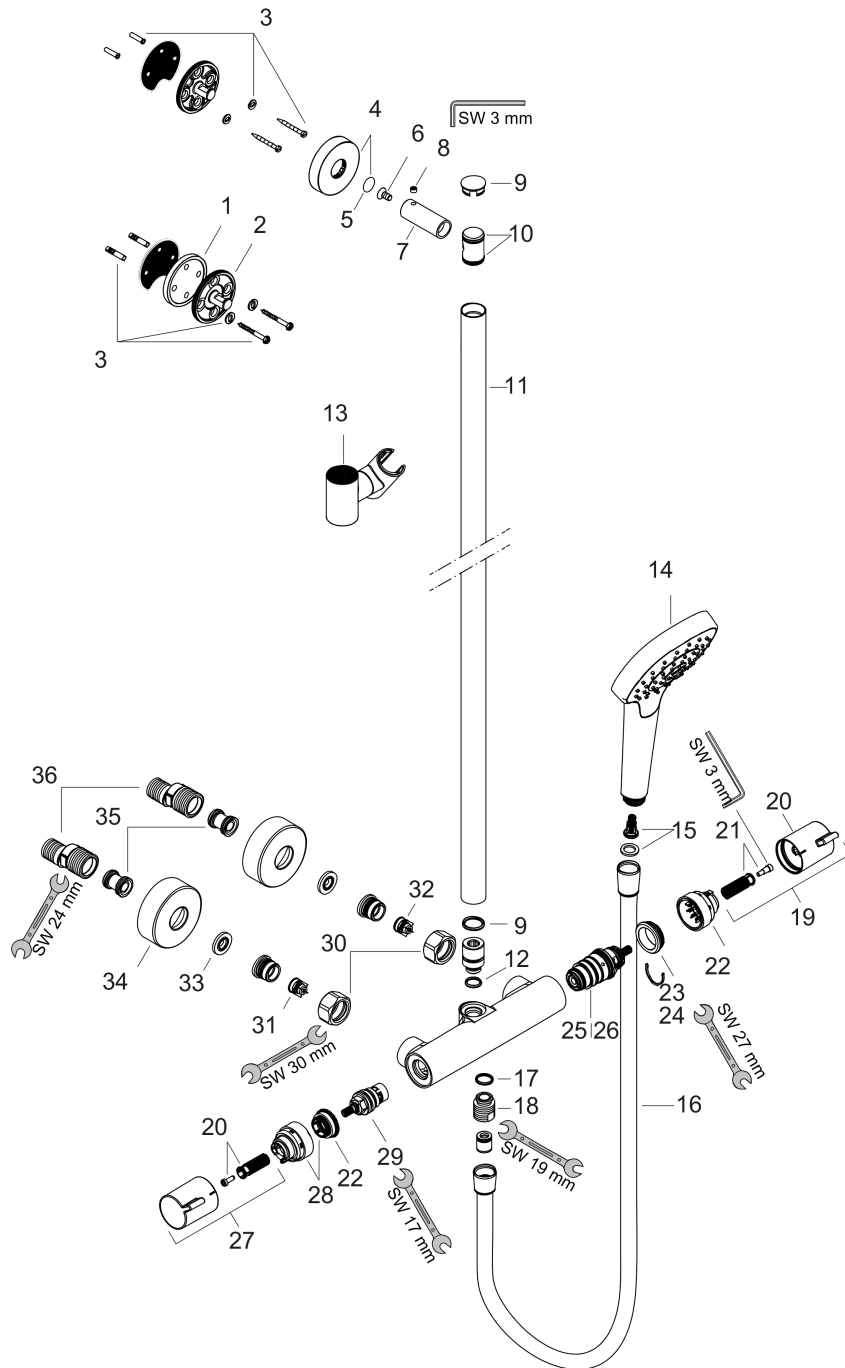


**Croma Select E**  
**SemiPipe Multi with thermostat**  
 Surfaces: **White/Chrome** Article Number: **27248400**



Exploded Drawing

Year of production: >10/15



**Croma Select E****SemiPipe Multi with thermostat**Surfaces: **White/Chrome** Article Number: **27248400****Spare part list**

Year of production: &gt;10/15

Pos.	Description	Article Number	Price	PU
1	tile-matching-disk	95239000	-	1
2	wall flange	95688000	-	1
3	mounting set	96179000	-	1
4	escutcheon Ø 60 mm	95692000	-	1
5	O-ring 20x2	98165000	-	1
6	screw	92137000	-	1
7	sleeve	92166000	-	1
8	hollow set screw M6x5	98447000	-	1
9	flange	92739000	-	1
10	O-ring 17x2,5	98387000	-	1
11	pipe 1020 mm	92740000	-	1
12	O-ring 12x2,25	98382000	-	1
13	support, assy	95480000	-	1
14	handshower	26810400	-	1
15	filter packing	94246000	-	1
16	shower hose Isiflex'B 1,60 m	28276000	-	1
17	O-ring 14x2	98129000	-	1
18	Hose Connection	96044000	-	1
19	handle	95836000	-	1
20	pushbutton	92848000	-	1
21	handle fixing set	95843000	-	1
22	safety set	95839000	-	1
23	nut	98913000	-	1
24	O-ring 26x1,5	98390000	-	1
25	thermostat cartridge	98282000	-	1
26	cartridge for exchanged connections	92373000	-	1
27	handle	95845000	-	1
28	safety set	95841000	-	1
29	shut off unit	94149000	-	1
30	set of nuts	96157000	-	1
31	non return valve (pressure-resistant up to 2 MPa)	93136000	-	1
32	non return valve	96737000	-	1
33	filter packing	96922000	-	1
34	escutcheon Ø 68 mm	96467000	-	1
35	noise reduction	96429000	-	1
36	set of S-unions (±12 mm)	94140000	-	1
a	set of S-unions (±32 mm)	98592000	-	1