

## Rainfinity

### Overhead shower 360 1jet with wall connector

Surfaces: **Chrome** Article Number: **26230000**



#### Description

##### product features

- consists of: overhead shower, wall connector
- shower head size: 360 mm
- spray type: PowderRain
- projection 381 mm
- middle spray disc: 205 mm
- shower head vertically inclinable by 10-30°
- maximum flow rate at 3 bar: 21 l/min
- flow rate PowderRain spray (at 0.3 bar): 21 l/min
- spray disc surface: graphite
- material spray disc: aluminium
- overhead shower removable for cleaning
- frame: metal
- installation: wall
- connection thread G ½
- connection dimension: DN15

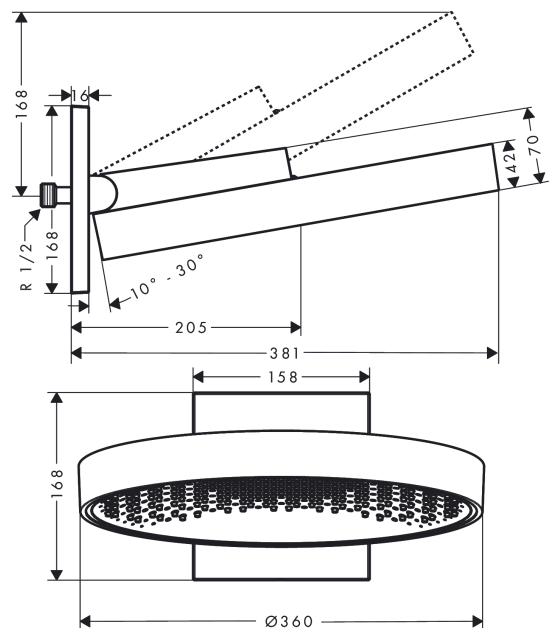
#### Technology



#### Product image



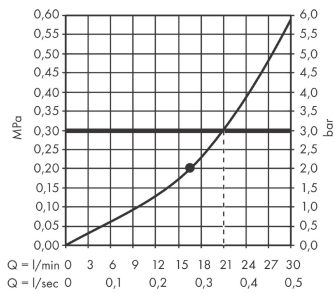
#### Scale drawing



**Rainfinity**  
**Overhead shower 360 1jet with wall connector**  
 Surfaces: **Chrome** Article Number: **26230000**



**Flowchart**

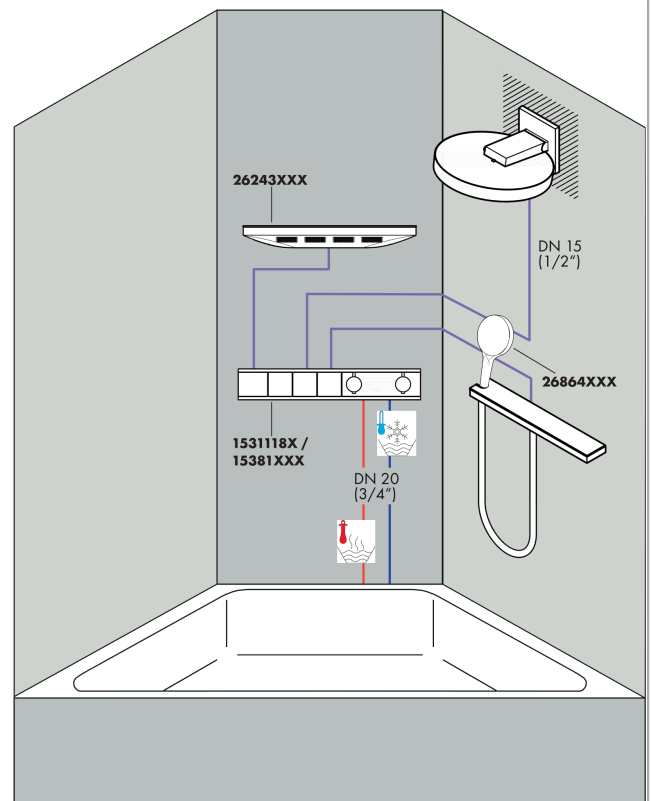
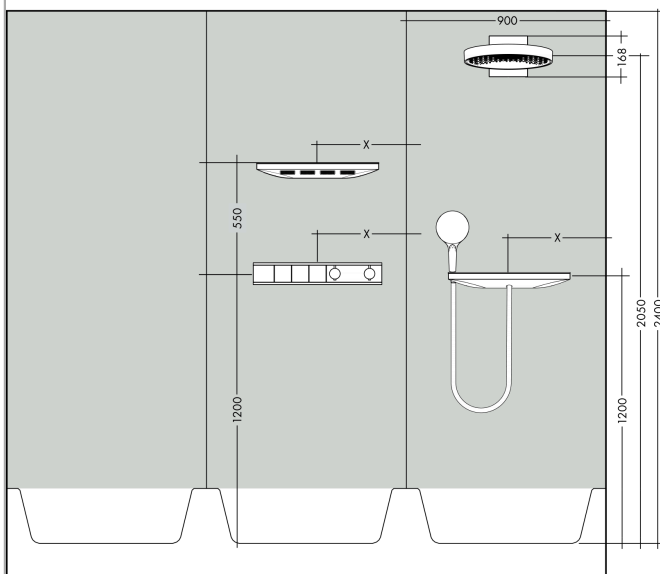


The consumption was measured in combination with the appropriate fittings (thermostat/mixer/in-wall valve) to reflect actual application in practice.

**Rainfinity**  
**Overhead shower 360 1jet with wall connector**  
 Surfaces: **Chrome** Article Number: **26230000**



Installation examples

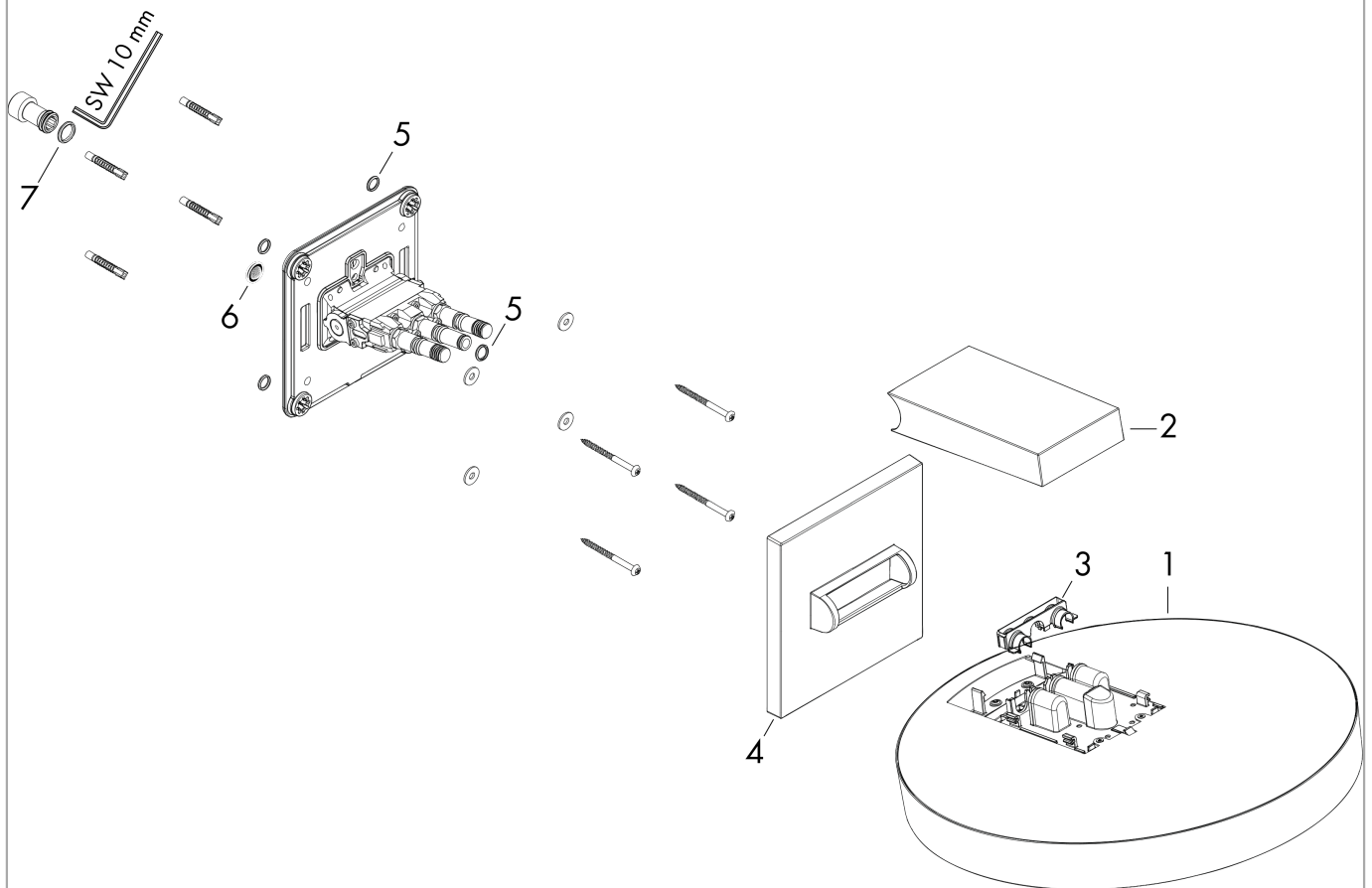


**Rainfinity**  
**Overhead shower 360 1jet with wall connector**  
 Surfaces: **Chrome** Article Number: **26230000**



**Exploded Drawing**

Year of production: >07/19



**Rainfinity****Overhead shower 360 1jet with wall connector**Surfaces: **Chrome** Article Number: **26230000****Spare part list**

Year of production: &gt;07/19

<b>Pos.</b>	<b>Description</b>	<b>Article Number</b>	<b>Price</b>	<b>PU</b>
1	head shower	93664000	-	1
2	cover	93524000	-	1
3	cramp	93525000	-	1
4	escutcheon	93523000	-	1
5	O-ring 9x2	98119000	-	1
6	filter packing	93774000	-	1
7	O-ring 13x2,5	98428000	-	1